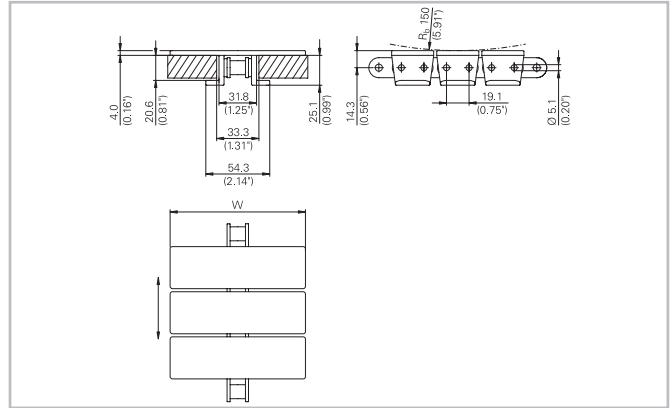


# HabaCHAIN<sup>®</sup> Snap-on 1873T+T (Straight)

## Description

Snap-on 1873T+T is a tabbed heavy duty straight running only snap-on chain. It is a two piece system that has a metallic 3/4" pitch 1873 roller chain with snap-on plastic top plates designed for bi-directional travel. Top plate thickness 4.0 mm. Applications include packaging and high load/speed applications.



## Chain Data

Habasit code	Width W		Weight		Nominal tensile strength F		Material
	mm	inch	kg/m	lb/ft	N	lbf	
C1873S0325DPTA+T	82.6	3.25	2.14	1.44	4000	900	DP
C1873S0325LFTA+T	82.6	3.25	2.14	1.44	4000	900	LF
C1873S0450DPTA+T	114.3	4.50	2.32	1.56	4000	900	DP
C1873S0450LFTA+T	114.3	4.50	2.32	1.56	4000	900	LF
C1873S0600DPTA+T	152.4	6.00	2.53	1.70	4000	900	DP
C1873S0600LFTA+T	152.4	6.00	2.53	1.70	4000	900	LF
C1873S0750DPTA+T	190.5	7.50	2.74	1.84	4000	900	DP
C1873S0750LFTA+T	190.5	7.50	2.74	1.84	4000	900	LF

## Base chain:

- Standard material is CS
- Stainless steel (suffix + SS) on request: Max. workload 2000 N (450 lbf)
- Nomenclature for base chain only:
  - C1873B0075CS
  - C1873B0075SS
- Standard packaging: 3.048 m = 10ft (including one connecting link)
- The weight specification is indicative
- Other top plate material available on request
- Driven by standard #60 series roller chain sprockets

For further information and availability please contact your local Habasit partner.

## Product liability, application considerations

If the proper selection and application of Habasit products are not recommended by an authorized Habasit sales specialist, the selection and application of Habasit products, including the related area of product safety, are the responsibility of the customer.

All indications / information are recommendations and believed to be reliable, but no representations, guarantees, or warranties of any kind are made as to their accuracy or suitability for particular applications. The data provided herein are based on laboratory work with small-scale test equipment, running at standard conditions, and do not necessarily match product performance in industrial use. New knowledge and experiences can lead to modifications and changes within a short time without prior notice.

BECAUSE CONDITIONS OF USE ARE OUTSIDE OF HABASIT'S AND ITS AFFILIATED COMPANIES CONTROL, WE CANNOT ASSUME ANY LIABILITY CONCERNING THE SUITABILITY AND PROCESS ABILITY OF THE PRODUCTS MENTIONED HEREIN. THIS ALSO APPLIES TO PROCESS RESULTS / OUTPUT / MANUFACTURING GOODS AS WELL AS TO POSSIBLE DEFECTS, DAMAGES, CONSEQUENTIAL DAMAGES, AND FURTHER-REACHING CONSEQUENCES.